

IBL lighting

Synergy Choice Switch Start



Range of,
performance, compact fluorescent downlighters



CE Mark

Conformance to Low Voltage & EMC Directives

Safety

*BS EN 60598
BS EN 61347*



Intram Barwell Limited is constantly developing its products. All descriptions, illustrations, drawings and specifications in this publication present only general particulars and shall not form part of any contract. The right is reserved to change specifications without prior notification or public announcement. All goods supplied by the company are supplied subject to the company's General Conditions of Sale, a copy of which is available from the website.

*Intram Barwell Ltd
Unit C60 Barwell Business Park, Leatherhead Road,
Chessington, Surrey. KT9 2NY.*

*t. +44 (0) 20 8391 7500
e. info@ibl.co.uk*

*f. +44 (0) 20 8391 1629
web. www.ibl.co.uk*

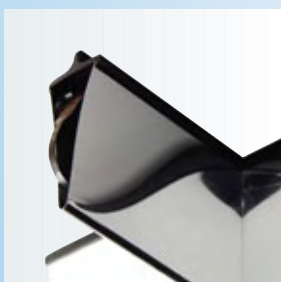
Synergy Choice Switch Start



IP44 bezel



3166.10



3158.10



C3100.10



Electrical Specification

Input voltage	230-240Vac 50/60Hz	
Input current	1x13W = 0.07A	2x13W = 0.14A
	1x18W = 0.11A	2x18W = 0.22A
	1x26W = 0.15A	2x26W = 0.30A
Power factor	>0.90	
Circuit loss	<35% lamp wattage	
Electrical protection	Class I	
Lamp type	Compact fluorescent 2 pin lamps	
Emergency	Compact fluorescent 2&4 pin lamps	
Ballast protection	Thermal cutout (140°C)	
Electrical connection	Screwless terminations	
Ingress protection	IP20, IP44 or IP65	

Mechanical Specification

luminaire	Injection moulded polycarbonate
Reflector	Metalised aluminium
Light distribution	Asymmetrical
Bezel standard	White ABS plastic
Bezel painted finish	Polyester powder coated die-cast
Bezel metallic finish	Lacquered die-cast
Gear housing	Self extinguishing polycarbonate
Luminaire fixing	Tri-wing fixing method
Ceiling thickness	1 - 30mm

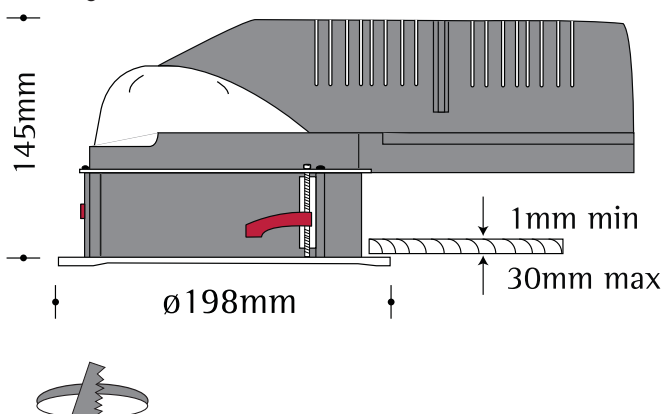
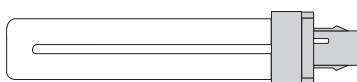
Compliance

CE Mark	Conforms to Low Voltage & EMC Directive
Safety	BS EN 60598
	BS EN 61347



Synergy Choice Switch Start

- n Low energy downlighter
- n Various attachments
- n Tri-wing fixing
- n Loop-in loop-out terminations
- n Specular metalised aluminium reflector
- n Faceted metalised aluminium reflector option
- n Integral HPF switch start gear
- n Extensive range



Lamp Type	Wattage	Part Code Standard	Part Code Emergency
1 x 13W	TC-D	C3820.10	C9280.10
1 x 18W	TC-D	C3822.10	C9822.10
1 x 26W	TC-D	C3824.10	C9824.10
2 x 13W	TC-D/TC-DE	C3821.10	C9821.10
2 x 18W	TC-D/TC-DE	C3823.10	C9823.10
2 x 26W	TC-D/TC-DE	C3825.10	C9825.10

Supplied with White ABS bezel and specular reflector as standard for faceted reflectors add 9 to the suffix ie; C3820.19

Attachments

Attachments	Part Code
ABS bezel	3160.10
Die cast bezel	3161.**
Floating glass etched centre	3166.**
Floating glass centre hole	3167.**
Floating glass large etched centre	3168.**
IP44 sealed bezel with clear glass	3163.**
IP44 sealed bezel with frosted glass	3164.**
IP65 sealed tamper proof bezel polycarbonate lens	C3200.**
Cat II Louvre attachment	3158.00

IP65 bezels are factory fitted and must be ordered with the luminaire

suffix guide to finishes	.10 White	.20 Black	.30 Brass	.40 Chrome	.90 Satin Chrome



C3820.10



Tri-Wing Fixing



Emergency



3167.30



3166.30

