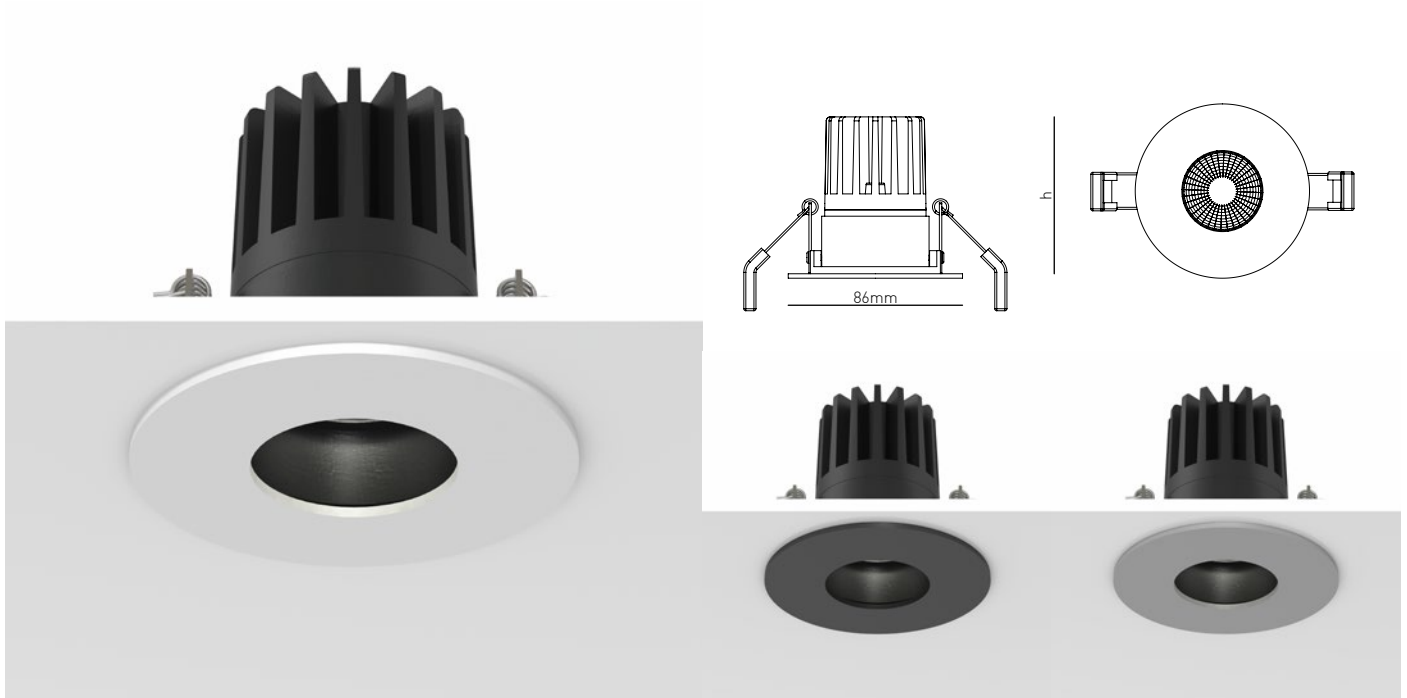


Pin 90

3 Chip XP-G3



Features

- Energy saving
- Full intensity from switch on
- Interchangeable LED engine
- Wide range of LED CCTs and optics
- CREE 2 step McAdam LEDs
- Long life L70 50,000 hrs based on LM-80 & TM-21 applicable test data
- Remote constant current driver with S.E.L.V. output
- Mains phase, 0-10V and DALI dimming options available
- 5 Year warranty

Luminaire Specification

| | |
|---------------------------|---|
| Height | 83mm |
| Bezel | Ø86mm |
| Hole cut-out | Ø72mm |
| Luminaire material | Aluminium with textured powder coat finish. |
| IP Rating | IP20 IP44/IP65 option |

LED Specification

| | |
|--------------------------|--|
| LED | CREE XP-G3 |
| Output (per head) | 6W (3 Chip) : 644lm (107lm/W) |
| CRI/CCT | 90Ra : 2700°K, 3000°K 90Ra : 4000°K, 6000°K |
| Optics | Spot 10°, narrow 20°, medium 35° |
| Drive current | 700mA |

Ordering Information example 2214.2332

| Model | Finish | LED CCT | Driver | Version | IP Rating |
|------------------|----------|----------|-----------------|---------------|-----------|
| 2211. Spot 10° | 1 White | 2 2700°K | 1 Non-dimming | 2 6W (3 Chip) | IP20 |
| 2212. Narrow 20° | 2 Black | 3 3000°K | 2 Phase dimming | | 4 IP44 |
| 2213. Medium 35° | 7 Silver | 4 4000°K | 3 0-10V Dimming | | 6 IP65 |
| | | 6 6000°K | 4 DALI Dimming | | |

(i) Typical lumen output subject to selected CCT & optic combinations.