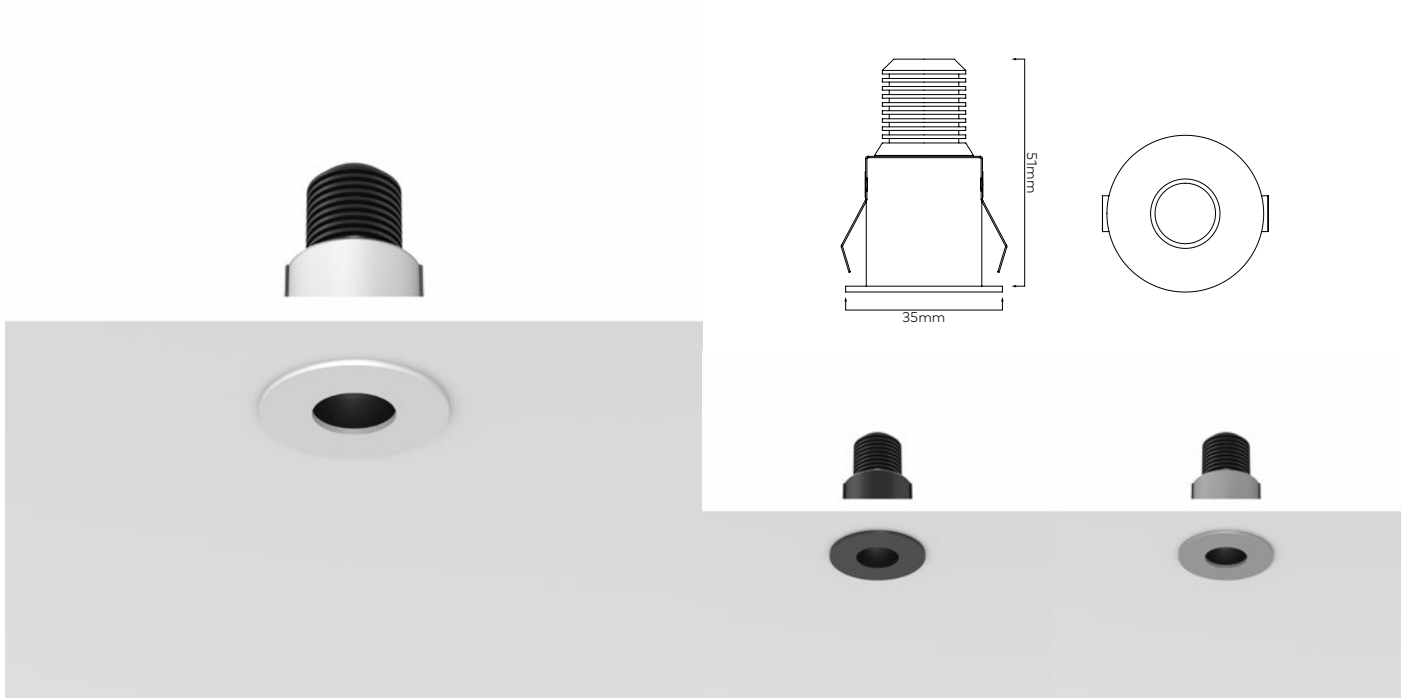


Pin 40



Features

- Energy saving
- Full intensity from switch on
- Wide range of LED CCTs, optics and accessories
- Long life L70 50,000 hrs based on LM-80 & TM-21 applicable test data
- Remote constant current driver with S.E.L.V. output
- Mains phase, 0-10V and DALI dimming options available
- 5 Year warranty

Luminaire Specification

Height	51mm
Bezel	Ø35mm
Hole cut-out	Ø30mm
Luminaire material	Aluminium with textured powder coat finish.
IP Rating	IP44 IP65 option

LED Specification

LED	Luminus SST
Typical LED Output ⁽ⁱ⁾	1 Chip (2W) : 208lm (104lm/W)
Typical Delivered Output ⁽ⁱⁱ⁾	141lm
Binning	2 Step McAdam ellipse
CCT	2700K, 3000K, 4000K
CRI	>90Ra
Optics	Spot 15°, medium 30°
Drive current	700mA (2.9V)

Ordering Information example 2283.1232

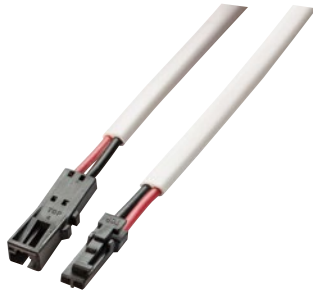
MODEL	FINISH	LED CCT	DRIVER	VERSION	IP RATING	ACCESSORIES
2281. Spot 15°	1 White	2 2700K	2 Phase dimming ⁽ⁱⁱⁱ⁾	2 1 Chip (2W)	IP44	-H Honeycomb Louvre
2283. Medium 30°	2 Black	3 3000K	3 0-10V Dimming ⁽ⁱⁱⁱ⁾		6 IP65	-FR Frosted Lens
	7 Silver	4 4000K	4 DALI Dimming ⁽ⁱⁱⁱ⁾			

(i) Typical lumen output subject to selected CCT/CRI & optic combinations. (ii) Typical delivered lumen output at 3000K with medium optics
 (iii) LED Driver does not fit through luminaire cut-out

Accessories

Extension Cables

7100.1005	50cm
7100.1010	1m
7100.1020	2m
7100.1030	3m
7100.1050	5m
7100.1070	7m
7100.1100	10m



Series Splitters

7002.00	2 way
7003.00	3 way
7006.00	6 way

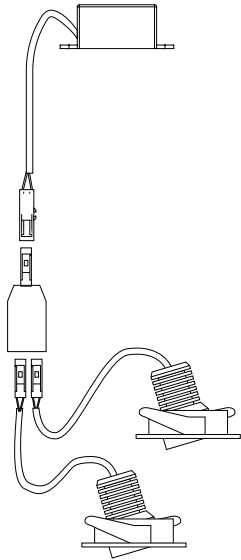
When using splitters please be sure not to overload the driver.

Splitters are wired in series, always ensure all sockets have either a fitting or included plug installed.



Please allow for voltage drop when adding extension cables

Example Configurations



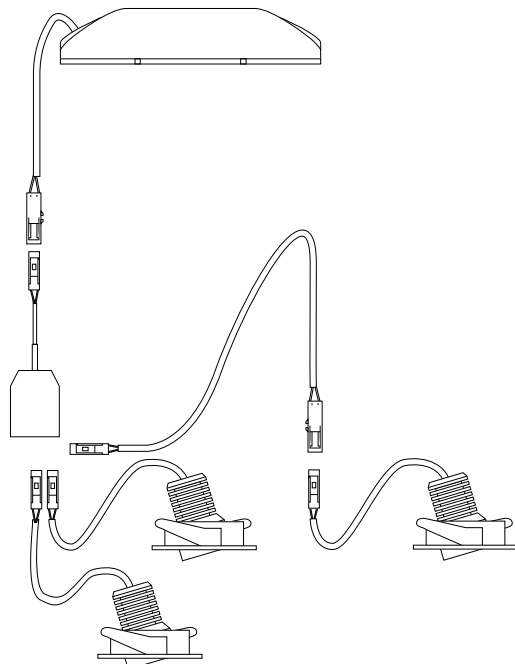
Example 1

Two Mini LEDs

Ordering Codes

- 1 x 2253.1322
- 1 x 2253.13X2
- 1 x 7002.00

- White Mini LED complete with 30°,3000K LED and 4W driver
- White Mini LED complete with 30°,3000K LED without driver
- 2 way series splitter



Example 2

Three Mini LEDs with dimming driver

Ordering Codes

- 1 x 2253.13X2
- 2 x 2253.13X2
- 1 x 4721.TC
- 1 x 7003.00
- 1 x 7100.1010

- White Mini LED complete with 30°,3000K LED without driver
- White Mini LED complete with 30°,3000K LED without driver
- Phase dimming constant current driver
- 3 way series splitter
- 1m extension cable