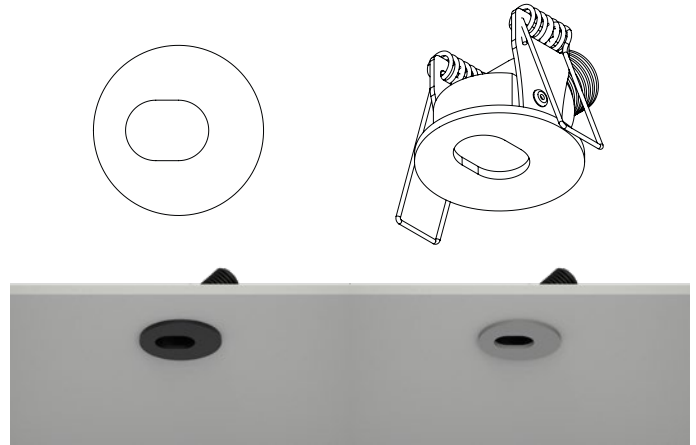
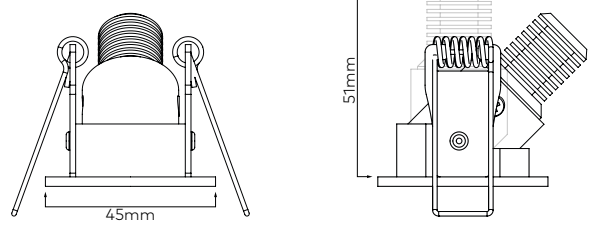


SLOT 40



LUMINAIRE SPECIFICATION

Height	51mm
Bezel	Ø45mm
Hole cut-out	Ø38mm
Tilt	45° Internally
Luminaire material	Aluminium with textured powder coat finish.
Light Source	LED with interchangeable LED and optics
Driver	Remote constant current
IP Rating	IP20, IP44 & IP65 Options
Accessories	Honeycomb louvre Frosted lens

LED SPECIFICATION

LED	Luminus SST
Source LED output	2W : 208lm (104lm/W)
Typical delivered output	162lm
CCT	2700K, 3000K, 4000K
CRI	>90Ra
Binning	2 Step
Optics	15°, 30°
Lifetime (L70)	50,000hrs based on LM-80 & TM-21 applicable test data
Driver requirement	Constant current
Drive current	700mA
Forward voltage	2.9VDC

ORDERING INFORMATION

example 2293.1332

BEAM ANGLE	FINISH	LED CCT	DRIVER	LED VERSION	IP RATING	ACCESSORIES
2291 Spot 15°	1 White	2 2700K	2 Phase dimming ⁽ⁱ⁾	2 2W	IP20	-H Honeycomb louvre
2293 Medium 30°	2 Black	3 3000K	3 0-10V dimming ⁽ⁱ⁾		4 IP44	-FR Frosted lens
	7 Silver	4 4000K	4 DALI dimming ⁽ⁱ⁾		6 IP65	

(i) LED Driver does not fit through luminaire cut-out

ACCESSORIES

Extension Cables

7100.1005	50cm
7100.1010	1m
7100.1020	2m
7100.1030	3m
7100.1050	5m
7100.1070	7m
7100.1100	10m



Please allow for voltage drop when adding extension cables

Series Splitters

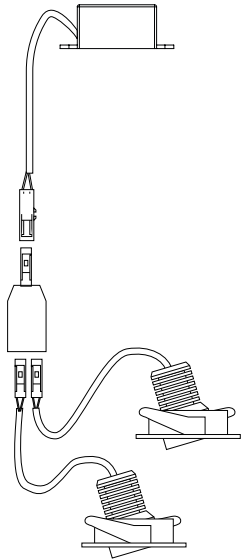
7002.00	2 way
7003.00	3 way
7006.00	6 way

When using splitters please be sure not to overload the driver.

Splitters are wired in series, always ensure all sockets have either a fitting or included plug installed.



Example Configurations



Example 1

Two Mini LEDs

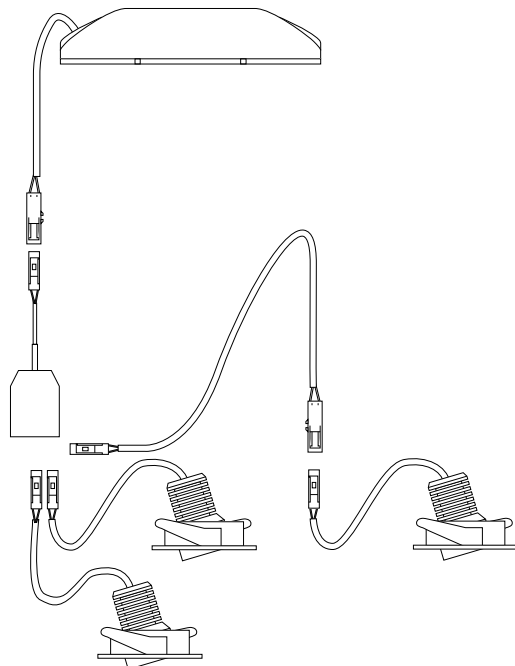
Ordering Codes

- 1 x 2253.1322
- 1 x 2253.13X2
- 1 x 7002.00

White Mini LED complete with 30°,3000K LED and 4W driver

White Mini LED complete with 30°,3000K LED without driver

2 way series splitter



Example 2

Three Mini LEDs with dimming driver

Ordering Codes

- 1 x 2253.13X2
- 2 x 2253.13X2
- 1 x 4721.TC
- 1 x 7003.00
- 1 x 7100.1010

White Mini LED complete with 30°,3000K LED without driver

White Mini LED complete with 30°,3000K LED without driver

Phase dimming constant current driver

3 way series splitter

1m extension cable