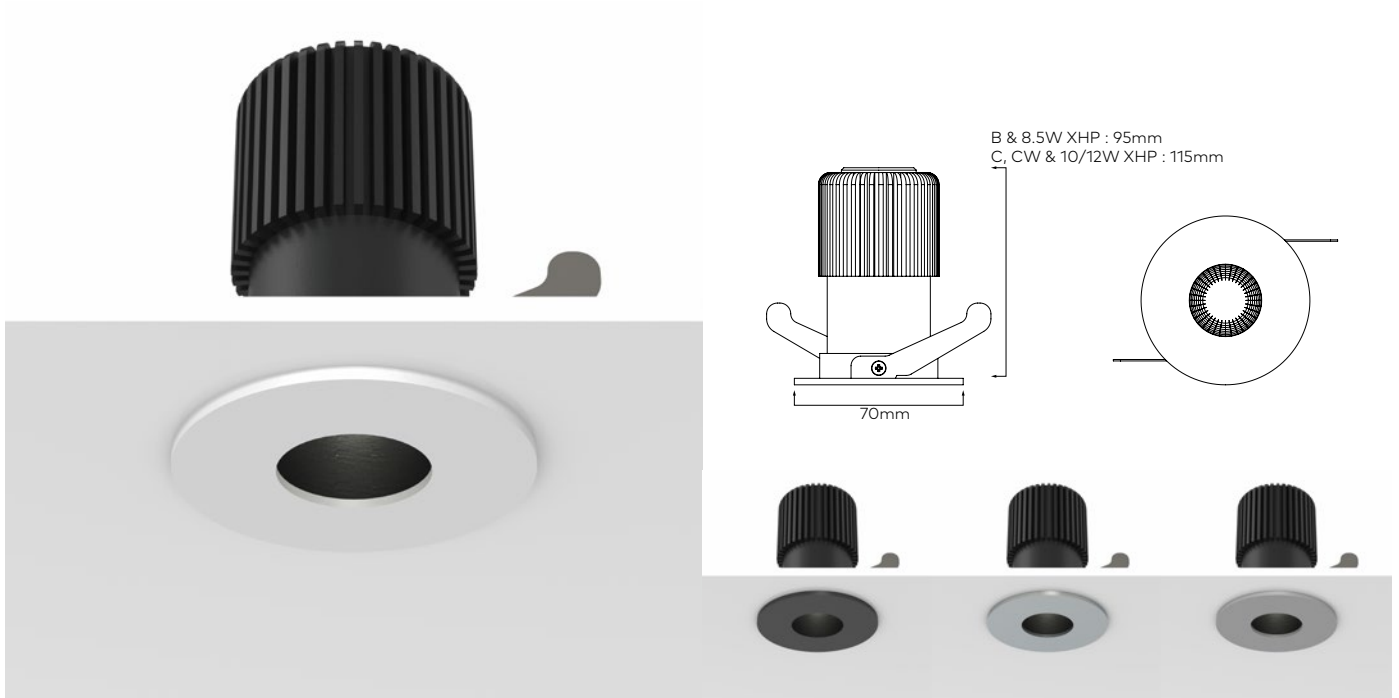


# Pin 70

## Array CXB



### Features

- Energy saving
- Full intensity from switch on
- Interchangeable LED engine
- Wide range of LED CCTs and reflectors
- Warm Dim 3000°K-2000°K option
- CREE 2 step MacAdam LEDs
- CRI >95 available on request
- Long life L70 50,000 hrs based on LM-80 & TM-21 applicable test data
- Remote constant current driver with S.E.L.V. output
- Mains phase, 0-10V and DALI dimming options available
- 5 Year warranty

### Luminaire Specification

<b>Height</b>	B : 95mm C : 115mm
<b>Bezel</b>	Ø70mm
<b>Hole cut-out</b>	Ø60mm
<b>Luminaire material</b>	Aluminium with textured powder coat finish.
<b>IP Rating</b>	IP20 IP44/IP65 option

### LED Specification

<b>LED</b>	B / C : CREE CXB
<b>Output</b>	B / 8.6W : 1038lm (120lm/W) C / 12W : 1600lm (134lm/W) CW / 13W : 1000lm (77lm/W)
<b>CRI/CCT</b>	2700°K, 3000°K, 4000°K, 5000°K >80Ra as standard >90Ra option 90Ra : Warm Dim (CW) 3000°K-2000°K
<b>Optics</b>	Narrow 20°, wide 40°, flood 60°
<b>Drive current</b>	B : 250mA, C / CW : 350mA

### Ordering Information example 2764.233C

Model	Finish	LED CCT	Driver	Version	IP Rating
2762. Narrow 20°	1 White	2 2700°K	2 Phase dimming	B 8.6W	IP20
2764. Wide 40°	2 Black	3 3000°K	3 0-10V Dimming	C 12W	4 IP44
	5 Aluminium	4 4000°K	4 DALI Dimming	CW 13W <sup>(i)</sup>	6 IP65
	7 Silver	5 5000°K			