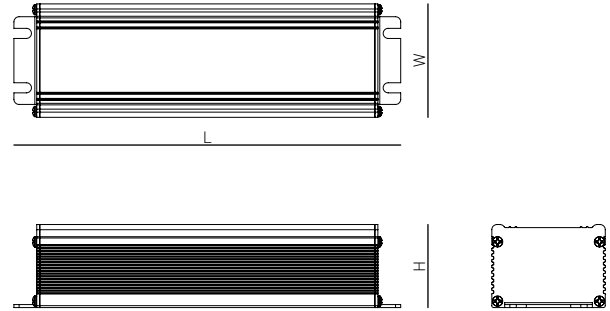


# IP67 DALI CC LED Driver



## Specification

	47408.70.67	4741.25.67	4741.70.67	4742.35.67	4742.55.67	4742.70.67	4743.70.67
<b>Dimensions</b>	130x44x32	130x44x32	130x44x32	163x56x35	163x56x35	163x56x35	163x56x35
<b>Dimming</b>	DALI	DALI	DALI	DALI	DALI	DALI	DALI
<b>IP Rating</b>	IP67	IP67	IP67	IP67	IP67	IP67	IP67
<b>Input voltage</b>	180-265VAC	180-265VAC	180-265VAC	180-265VAC	180-265VAC	180-265VAC	180-265VAC
<b>Input current</b>	0.06A @230VAC	0.06A @230VAC	0.06A @230VAC	0.11A @230VAC	0.11A @230VAC	0.11A @230VAC	0.16A @230VAC
<b>Power factor</b>	> 0.95	> 0.95	> 0.95	> 0.95	> 0.95	> 0.95	> 0.95
<b>Output voltage</b>	2.9-12V	30-40V	10-15V	34-57V	25-38V	10-30V	30-42V
<b>Output current</b>	700mA	250mA	700mA	350mA	550mA	700mA	700mA
<b>Output power</b>	8W	12W	12W	20W	20W	20W	30W
<b>Weight</b>	550g	550g	550g	550g	550g	550g	550g
<b>Safety</b>	Short circuit and over voltage						
<b>Compliance</b>	Safety : EN61347-2-13.IP40 EMC : EN55015, EN61000-3-2, EN61000-4-2,3,4,5,6,8,11, EN61547						

## Expected failure rate & life-time

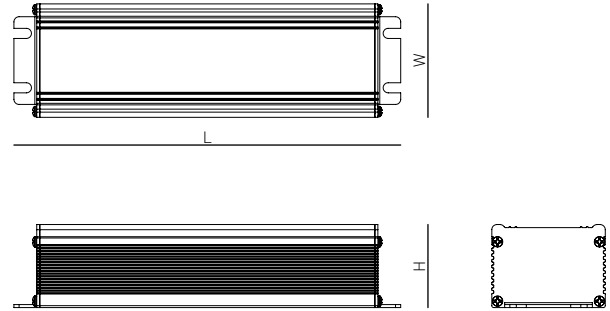
<b>Failure rate</b>	tc @ Max 80°C : <0.2% / 1000hrs	
<b>Life-time</b>	ta 35°C	ta 50°C
	>70,000hrs	>50,000hrs

The LED Driver is designed for a minimum life-time stated above with a probability of less than 10% failure.

## Ordering Information

Model	
47408.70.67	8W 700mA IP67 Constant current DALI LED driver
4741.25.67	12W 250mA IP67 Constant current DALI LED driver
4741.70.67	12W 700mA IP67 Constant current DALI LED driver
4742.35.67	20W 350mA IP67 Constant current DALI LED driver
4742.55.67	20W 550mA IP67 Constant current DALI LED driver
4742.70.67	20W 700mA IP67 Constant current DALI LED driver
4743.70.67	30W 700mA IP67 Constant current DALI LED driver

# IP67 DALI CC LED Driver



## Specification

	4744.85.67	4744.100.67	4746.120.67	4746.150.67
<b>Dimensions</b>	163x56x35	163x56x35	163x56x35	163x56x35
<b>Dimming</b>	DALI	DALI	DALI	DALI
<b>IP Rating</b>	IP67	IP67	IP67	IP67
<b>Input voltage</b>	180-265VAC	180-265VAC	180-265VAC	180-265VAC
<b>Input current</b>	0.14A @230VAC	0.14A @230VAC	0.42A @230VAC	0.42A @230VAC
<b>Power factor</b>	> 0.95	> 0.95	> 0.95	> 0.95
<b>Output voltage</b>	35-53V	30-45V	35-50V	30-40V
<b>Output current</b>	850mA	1.0A	1.2A	1.5A
<b>Output power</b>	40W	40W	60W	60W
<b>Weight</b>	550g	550g	600g	600g
<b>Safety</b>	Short circuit and over voltage			
<b>Compliance</b>	Safety : EN61347-2-13,IP40 EMC : EN55015, EN61000-3-2, EN61000-4-2,3,4,5,6,8,11, EN61547			

## Expected failure rate & life-time

<b>Failure rate</b>	tc @ Max 80°C : <0.2% / 1000hrs	
<b>Life-time</b>	ta 35°C	ta 50°C
	>70,000hrs	>50,000hrs

The LED Driver is designed for a minimum life-time stated above with a probability of less than 10% failure.

## Ordering Information

Model	
4744.85.67	40W 850mA IP67 Constant current DALI LED driver
4744.100.67	40W 1.0A IP67 Constant current DALI LED driver
4746.120.67	60W 1.2A IP67 Constant current DALI LED driver
4746.150.67	60W 1.5A IP67 Constant current DALI LED driver