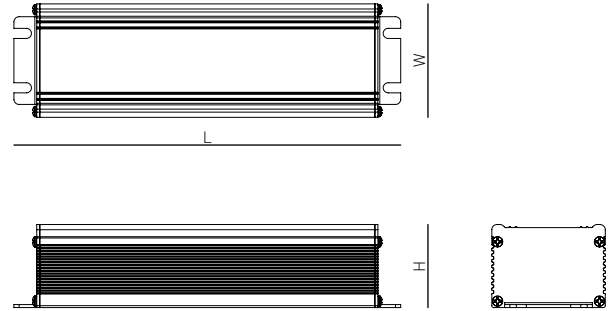


## IP67 0-10V CV LED DRIVER



### SPECIFICATION

|                       | 4732.24167   | 4733.24167       | 4734.24167       | 4735.24167       | 4736.24167        | 4738.24167       | 47310.24167       |
|-----------------------|--|------------------|------------------|------------------|-------------------|------------------|-------------------|
| <b>Dimensions</b>     | 150x44x32mm  | 163x56x35mm      | 163x56x35mm      | 163x56x35mm      | 163x56x35mm       | 180x70x40mm      | 230x70x40mm       |
| <b>Type</b>           | Constant voltage   | Constant voltage | Constant voltage | Constant voltage | Constant voltage  | Constant voltage | Constant voltage  |
| <b>Dimming</b>        | 0-10V  | 0-10V            | 0-10V            | 0-10V            | 0-10V             | 0-10V            | 0-10V             |
| <b>Dimming type</b>   |  |                  |                  |                  | Voltage reduction |                  | Voltage reduction |
| <b>IP Rating</b>      | IP67   | IP67             | IP67             | IP67             | IP67              | IP67             | IP67              |
| <b>Input voltage</b>  | 85-265VAC  | 85-265VAC        | 85-265VAC        | 85-265VAC        | 85-265VAC         | 85-265VAC        | 85-265VAC         |
| <b>Power factor</b>   | > 0.95   | > 0.95           | > 0.95           | > 0.95           | > 0.95            | > 0.95           | > 0.95            |
| <b>Output voltage</b> | 24VDC  | 24VDC            | 24VDC            | 24VDC            | 24VDC             | 24VDC            | 24VDC             |
| <b>Output current</b> | 0.83A  | 1.25A            | 1.87A            | 2.10A            | 2.50A             | 3.30A            | 4.15A             |
| <b>Output power</b>   | 20W  | 30W              | 40W              | 50W              | 60W               | 80W              | 100W              |
| <b>Safety</b>         | Short circuit and over voltage   |                  |                  |                  |                   |                  |                   |
| <b>Compliance</b>     | Safety : EN61347-2-13.IP40 EMC : EN55015, EN61000-3-2, EN61000-4-2,3,4,5,6,8,11, EN61547 |                  |                  |                  |                   |                  |                   |

### EXPECTED FAILURE RATE & LIFE-TIME

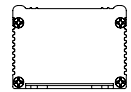
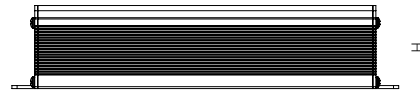
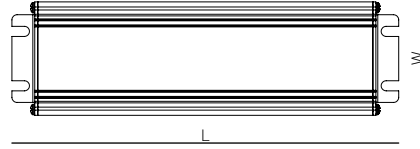
|                     |                                 |            |
|---------------------|---------------------------------|------------|
| <b>Failure rate</b> | tc @ Max 80°C : <0.2% / 1000hrs |            |
| <b>Life-time</b>    | ta 35°C                         | ta 50°C    |
|                     | >70,000hrs                      | >50,000hrs |

The LED Driver is designed for a minimum life-time stated above with a probability of less than 10% failure.

### ORDERING INFORMATION

|             |  |
|-------------|--|
| 4732.24167  | 20W 24V Constant voltage 0-10V LED driver  |
| 4733.24167  | 30W 24V Constant voltage 0-10V LED driver  |
| 4734.24167  | 40W 24V Constant voltage 0-10V LED driver  |
| 4735.24167  | 50W 24V Constant voltage 0-10V LED driver  |
| 4736.24167  | 60W 24V Constant voltage 0-10V LED driver  |
| 4738.24167  | 80W 24V Constant voltage 0-10V LED driver  |
| 47310.24167 | 100W 24V Constant voltage 0-10V LED driver |

## IP67 0-10V CV LED DRIVER



### SPECIFICATION

|                       | 47312.24167  | 47315.24167       | 47320.24167       | 47324.24167       | 47330.24167       | 47335.24167       | 47340.24167       |
|-----------------------|--|-------------------|-------------------|-------------------|-------------------|-------------------|-------------------|
| <b>Dimensions</b>     | 230x70x40mm  | 230x70x40mm       | 240x70x40mm       | 260x70x40mm       | 260x95x50mm       | 280x95x50mm       | 280x95x50mm       |
| <b>Type</b>           | Constant voltage   | Constant voltage  | Constant voltage  | Constant voltage  | Constant voltage  | Constant voltage  | Constant voltage  |
| <b>Dimming</b>        | 0-10V  | 0-10V             | 0-10V             | 0-10V             | 0-10V             | 0-10V             | 0-10V             |
| <b>Dimming type</b>   | Voltage reduction  | Voltage reduction | Voltage reduction | Voltage reduction | Voltage reduction | Voltage reduction | Voltage reduction |
| <b>IP Rating</b>      | IP67   | IP67              | IP67              | IP67              | IP67              | IP67              | IP67              |
| <b>Input voltage</b>  | 85-265VAC  | 85-265VAC         | 85-265VAC         | 85-265VAC         | 85-265VAC         | 85-265VAC         | 85-265VAC         |
| <b>Power factor</b>   | > 0.95   | > 0.95            | > 0.95            | > 0.95            | > 0.95            | > 0.95            | > 0.95            |
| <b>Output voltage</b> | 24VDC  | 24VDC             | 24VDC             | 24VDC             | 24VDC             | 24VDC             | 24VDC             |
| <b>Output current</b> | 5.00A  | 6.25A             | 8.30A             | 10.00A            | 12.50A            | 14.50A            | 16.60A            |
| <b>Output power</b>   | 120W   | 150W              | 200W              | 240W              | 300W              | 350W              | 400W              |
| <b>Safety</b>         | Short circuit and over voltage   |                   |                   |                   |                   |                   |                   |
| <b>Compliance</b>     | Safety : EN61347-2-13.IP40 EMC : EN55015, EN61000-3-2, EN61000-4-2,3,4,5,6,8,11, EN61547 |                   |                   |                   |                   |                   |                   |

### EXPECTED FAILURE RATE & LIFE-TIME

|                     |                                 |            |
|---------------------|---------------------------------|------------|
| <b>Failure rate</b> | tc @ Max 80°C : <0.2% / 1000hrs |            |
| <b>Life-time</b>    | ta 35°C                         | ta 50°C    |
|                     | >70,000hrs                      | >50,000hrs |

The LED Driver is designed for a minimum life-time stated above with a probability of less than 10% failure.

### ORDERING INFORMATION

|             |  |
|-------------|--|
| 47312.24167 | 120W 24V Constant voltage 0-10V LED driver |
| 47315.24167 | 150W 24V Constant voltage 0-10V LED driver |
| 47320.24167 | 200W 24V Constant voltage 0-10V LED driver |
| 47324.24167 | 240W 24V Constant voltage 0-10V LED driver |
| 47330.24167 | 300W 24V Constant voltage 0-10V LED driver |
| 47335.24167 | 350W 24V Constant voltage 0-10V LED driver |
| 47340.24167 | 400W 24V Constant voltage 0-10V LED driver |