

274X - Cone Tilt 65
 278X - Cone 70
 278TX - Cone Tilt 70
 224X - Cone 80
 224TX - Cone Tilt 90

Read these instructions before commencing installation and retain for future reference.
 This leaflet is for installation guidance only, it does not indicate suitability for use or application.

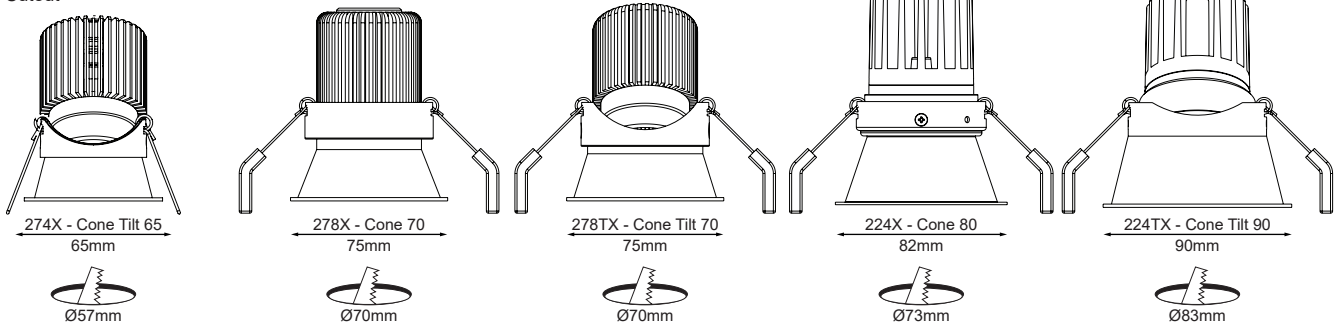


WARNING - Isolate the electrical supply before undertaking any electrical/wiring activities.
 Installation should be undertaken by a competent electrician in accordance with the relevant wiring/building regulations applicable to the site/installation.

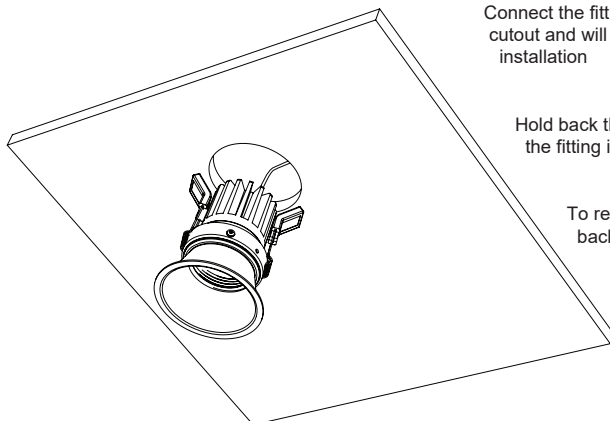
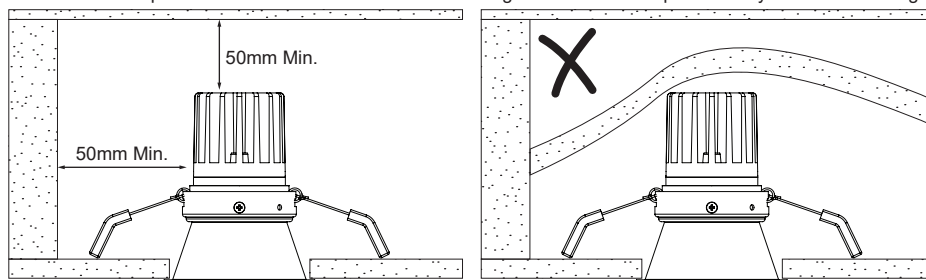


Specification Mounting Recessed Driver Constant current For driver specifications, please see driver label Standards Downlight Driver EN 60598-2-2 Recessed luminaire requirements EN 61347-2-3 Lamp control gear requirements EN 62384 Electronic control gear for LED Drivers EN 55015 EN 61000-3-2 } EMC requirements EN 61547		LED Driver wiring, refer to driver label and instructions for full details Input L : Live (Brown) N : Neutral (Blue) Output + : Positive (Red) - : Negative (Black) Examples of typical driver wiring
---	--	--

Hole Cutout



Ensure surface is suitable for installing the downlight
 Cut hole in ceiling allowing adequate clearances around the fitting ensuring location is free from insulation material and where the ambient temperature will not exceed the drivers ta rating. Ensure driver is placed away from the LED engine.



Connect the fitting to the LED driver, ensure that the LED driver is pushed away from the cutout and will not interfere with the fitting. Ensure that any IP rated gaskets are fitted before installation

Hold back the fixing springs and insert into ceiling void, the springs will spring back and secure the fitting into place.

To remove, gently pull the fitting away from ceiling. Once the springs are visible hold them back whilst continuing to remove the fitting to ensure they do not damage the ceiling finish.



WARNING
 Always isolate the mains supply whilst connecting LED engine to driver. Failure to do so could cause damage to the LED engine and LED driver