

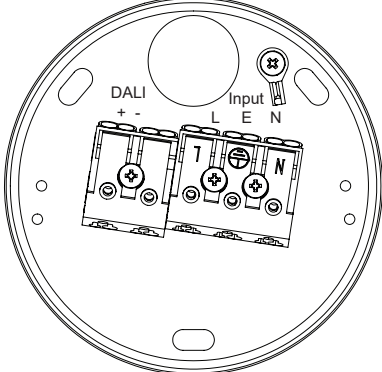
Read these instructions before commencing installation and retain for future reference.  
This leaflet is for installation guidance only, it does not indicate suitability for use or application.

## Can 100 DALI

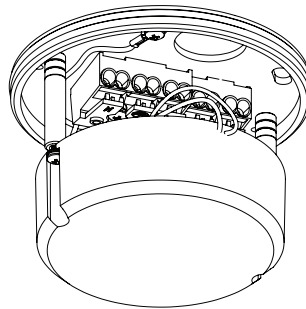
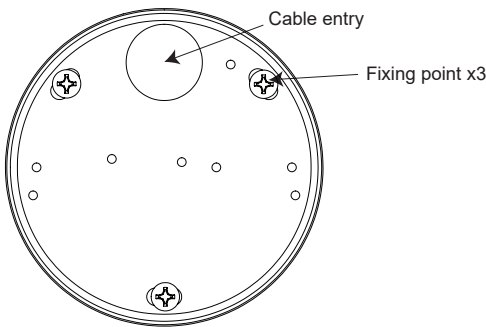


**WARNING** - Isolate the electrical supply before undertaking any electrical/wiring activities. Installation should be undertaken by a competent electrician in accordance with the relevant wiring/building regulations applicable to the site/installation.



<p><b>Specification</b></p> <p><b>Mounting</b> Surface mount <b>Ingress</b> IP20 IP65 option</p> <p><b>Driver</b> For driver specifications, please see driver label</p> <p><b>Standards</b> <b>Downlight</b> EN 60598-2-2 Recessed luminaire requirements <b>Driver</b> EN 61347-2-3 Lamp control gear requirements EN 62384 Electronic control gear for LED Drivers EN 55015 EN 61000-3-2 } EMC requirements EN 61547</p>	<p><b>Mains Input Wiring</b></p> <p><b>Input</b> L : Live (Brown) N : Neutral (Blue)</p> <p><b>DALI</b> + / - : Black / Red</p> <p><b>Output</b> Pre-wired top connector + : Positive (Red) - : Negative (Black)</p> 
---	--

Ensure surface is suitable to mount the fixing plate and that any fixing screws do not penetrate any wires or pipes.



**WARNING**

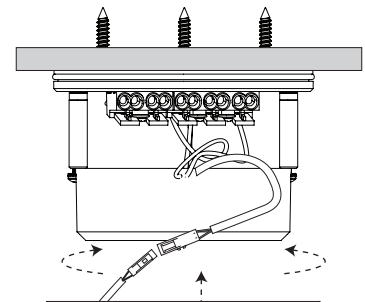
Always isolate the mains supply whilst connecting LED engine to driver. Failure to do so could cause damage to the LED engine and LED driver



Feed mains supply through cable entry hole.  
If necessary remove driver from mounting plate

Fix the mounting plate to surface with suitable fixings through the three fixing points.

Connect mains supply (including earth) and DALI to the terminal blocks as shown above.  
If driver was removed, re-secure it to the mounting plate.



Attach the LED to driver via the TOP connector

Secure the fitting by screwing the body onto the fixing plate

